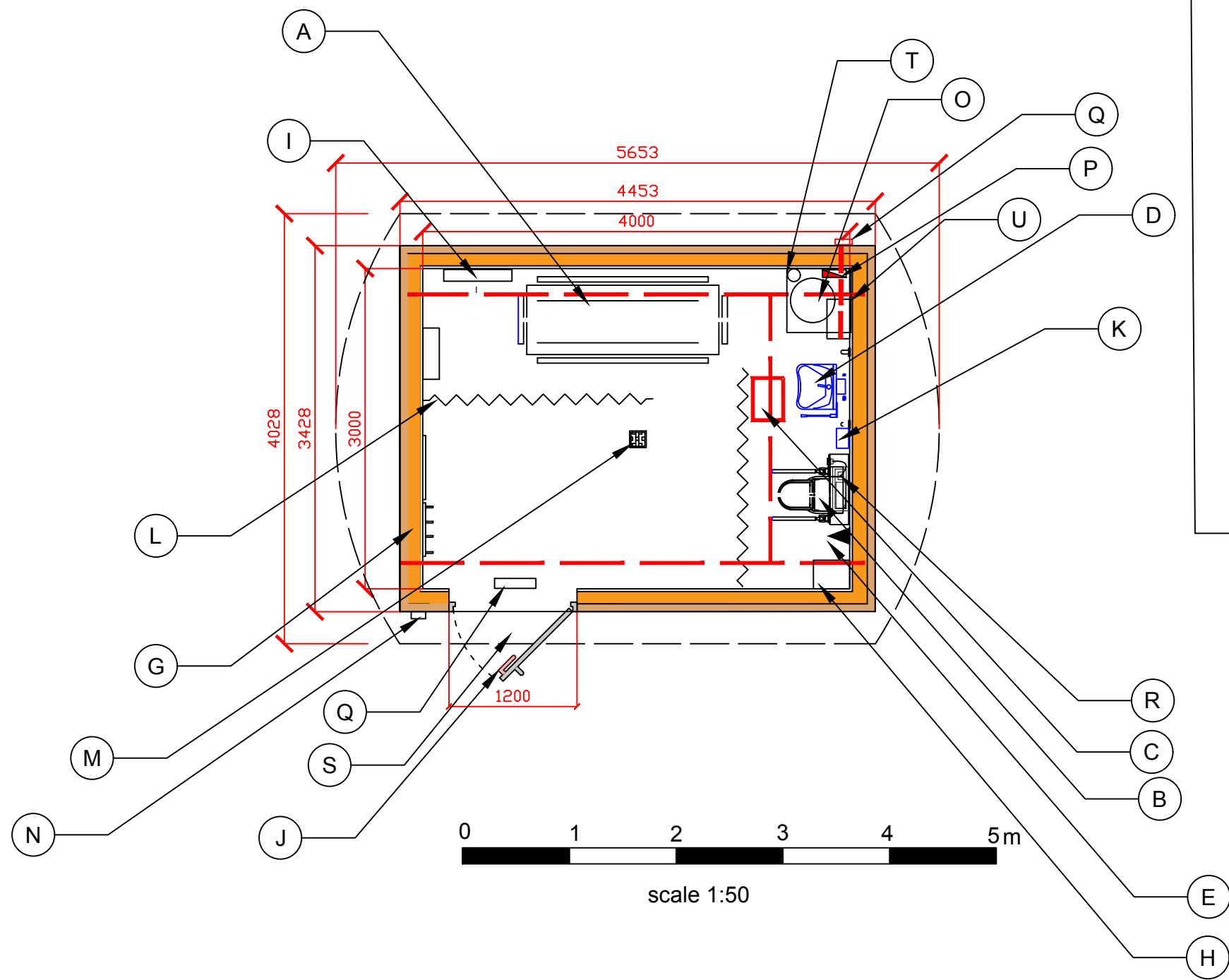


**NOTE**  
This is a flexible option

- CHANGING PLACE LEGEND**
- A Height adjustable changing bench
  - B Wc adjustable with close shower facility
  - C Ceiling hoist and track
  - D Wash basin, adjustable
  - E SOS
  - F Heater
  - G Mirror and hooks
  - H Sanitary bin
  - I Wide paper dispensors
  - J Accessible door
  - K Hand dryer
  - L Retractable privacy curtains
  - M Floor gully
  - N Keypad entry system
  - O Water heater
  - P CSU
  - Q Extract min.6L/sec
  - R Wave-on flush system
  - S LED ribbon lights
  - T Downpipe rw.
  - U Cupd with service access in base



REV	DATE	DESCRIPTION

CLIENT

DESIGN CP1

DRAWING TITLE

CHANGING PLACES  
MODULAR UNIT

SCALE	DATE	DRAWN BY	CHECKED BY
1:50	APR-2021	B W DAVIES	

@A3



REDMAN ROAD  
PORTE MARSH IND. ESTATE  
CALNE  
WILTS  
SN11 9PR  
Tel: 01249 822063  
Fax: 01249 823140  
e-mail ops@healthmatic.com

DRAWING NUMBER	REVISION

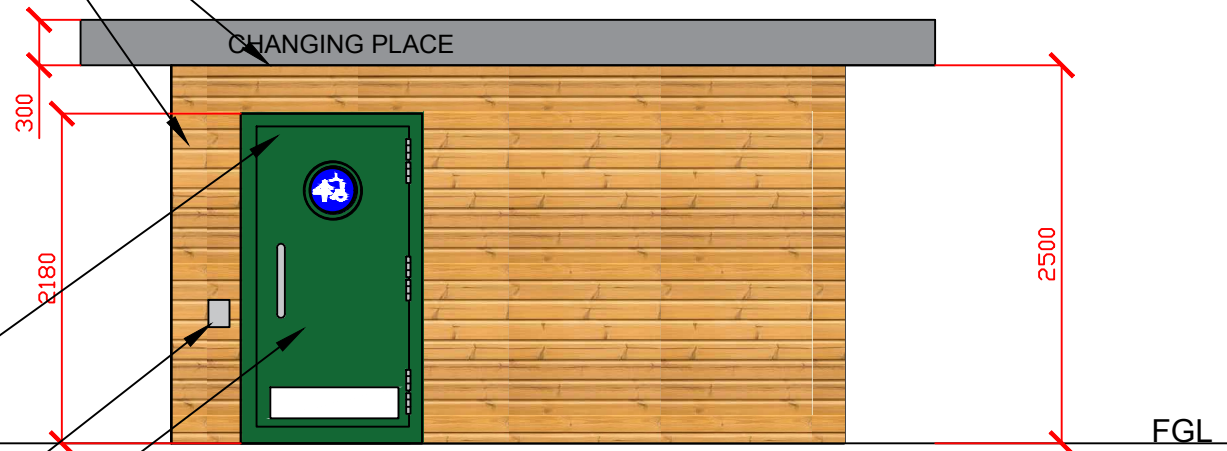
LED ribbon lights

Shiplap  
Cladding to be chosen

Colours to be  
chosen

Keypad entry

Accessible door

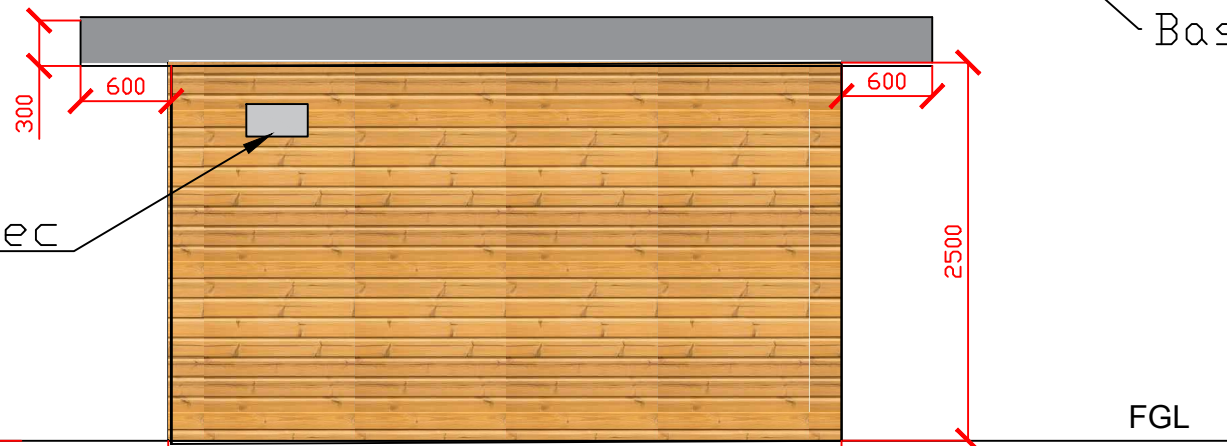


FGL

FRONT ELEVATION

Base slab

Extract min. 6L/sec



FGL

REAR ELEVATION

Base 200mm below FGL

200

4453




REV	DATE	DESCRIPTION

CLIENT

DESIGN CP1

DRAWING TITLE

CHANGING PLACES  
MODULAR UNIT

SCALE	DATE	DRAWN BY	CHECKED BY
1:50	APR-2021	B W DAVIES	

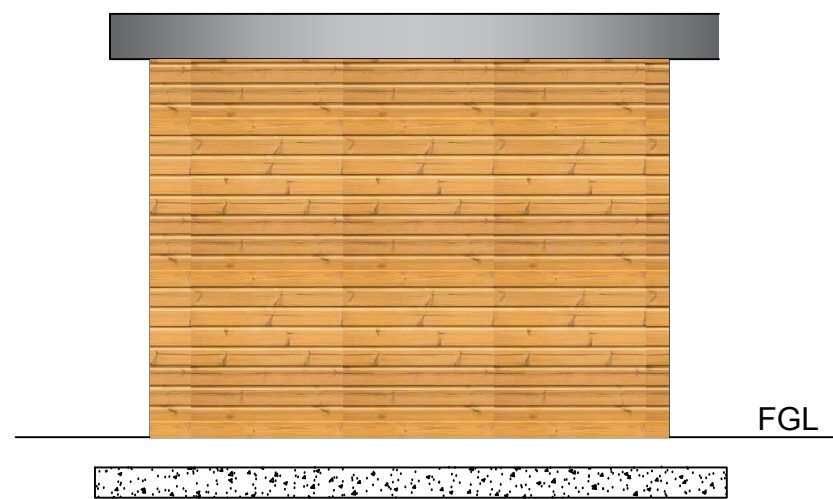
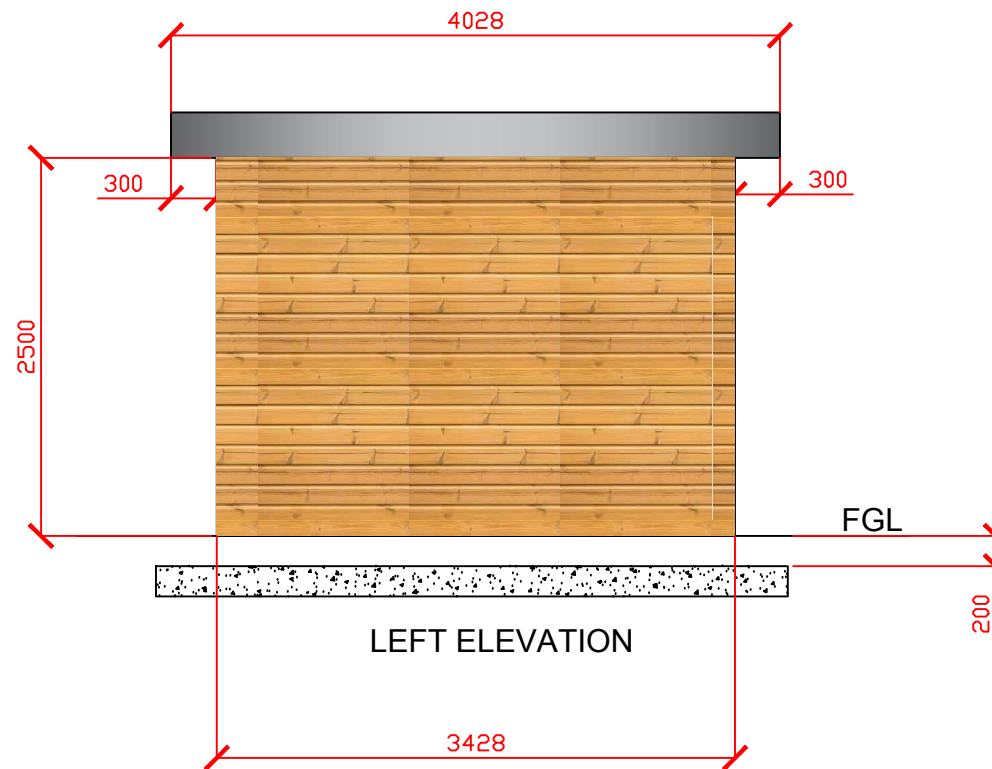
@A3

healthmatic

REDMAN ROAD  
PORTE MARSH IND. ESTATE  
CALNE  
WILTS  
SN11 9PR

Tel: 01249 822063  
Fax: 01249 823140  
e-mail ops@healthmatic.com

DRAWING NUMBER	REVISION

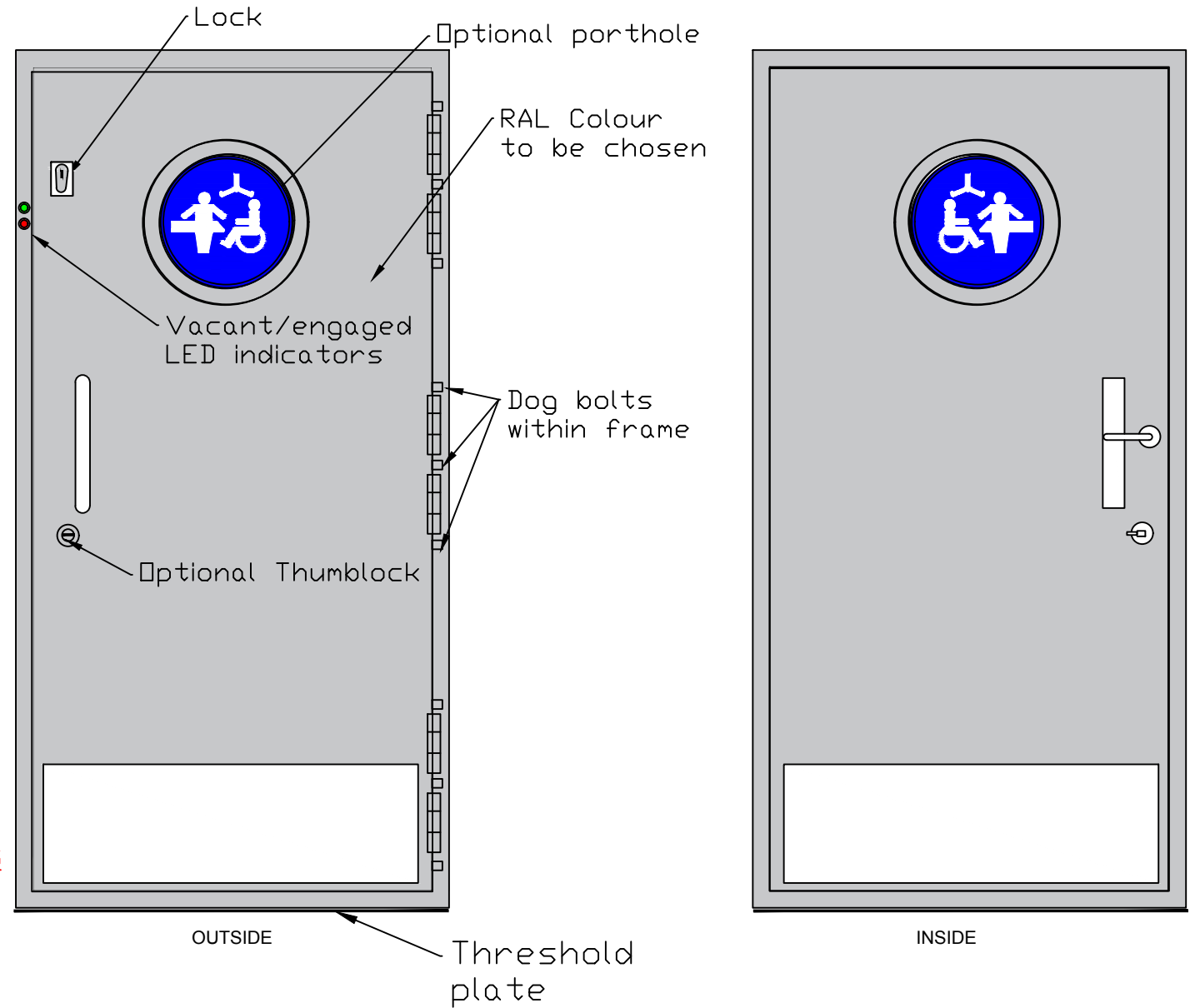
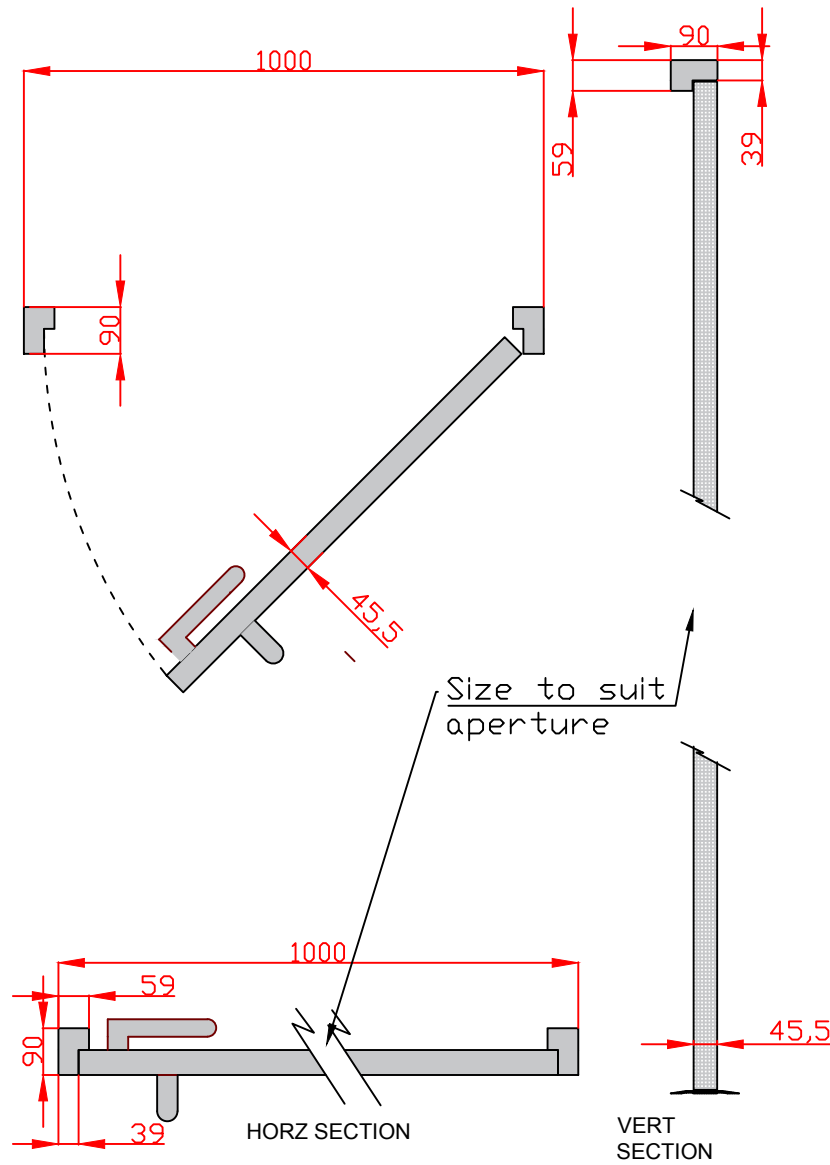


30x600mm




scale 1:50

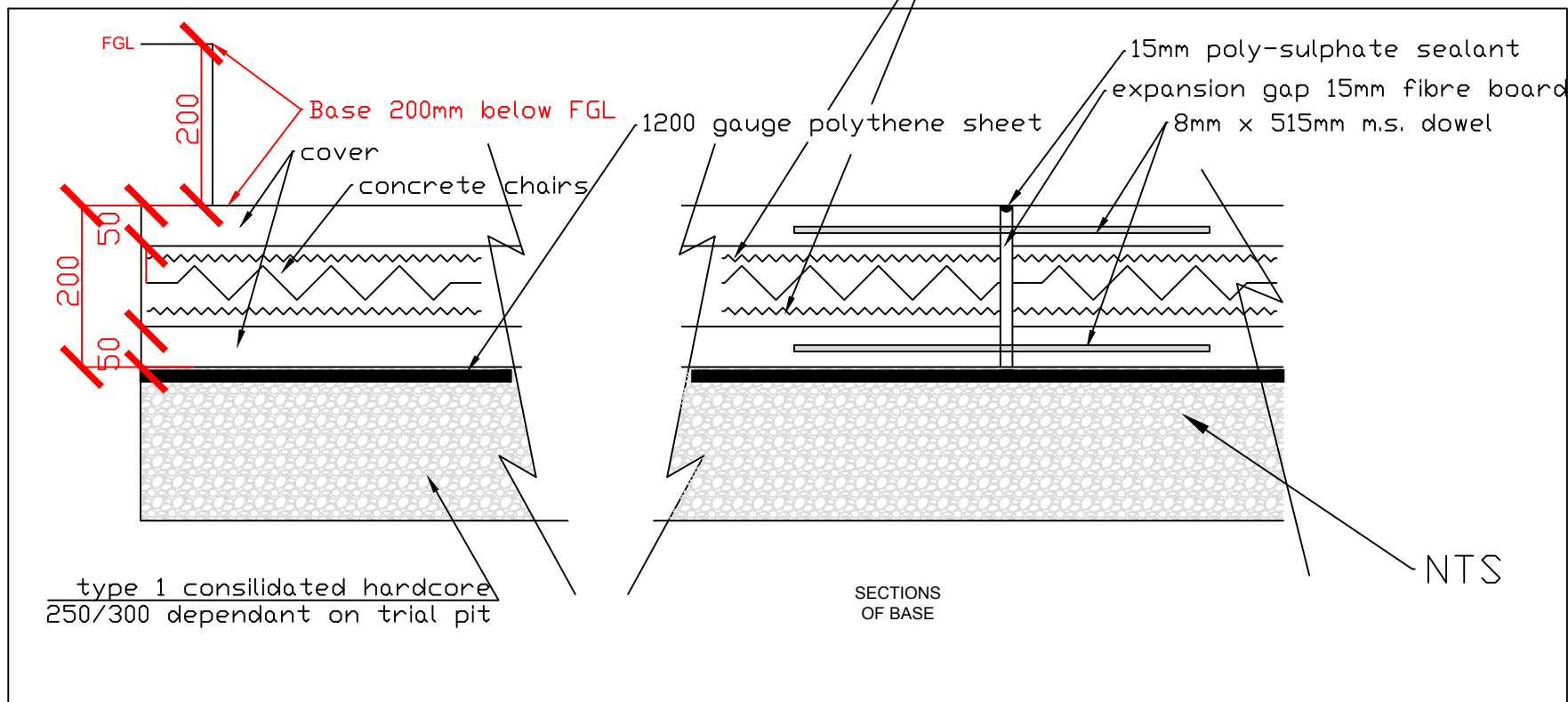
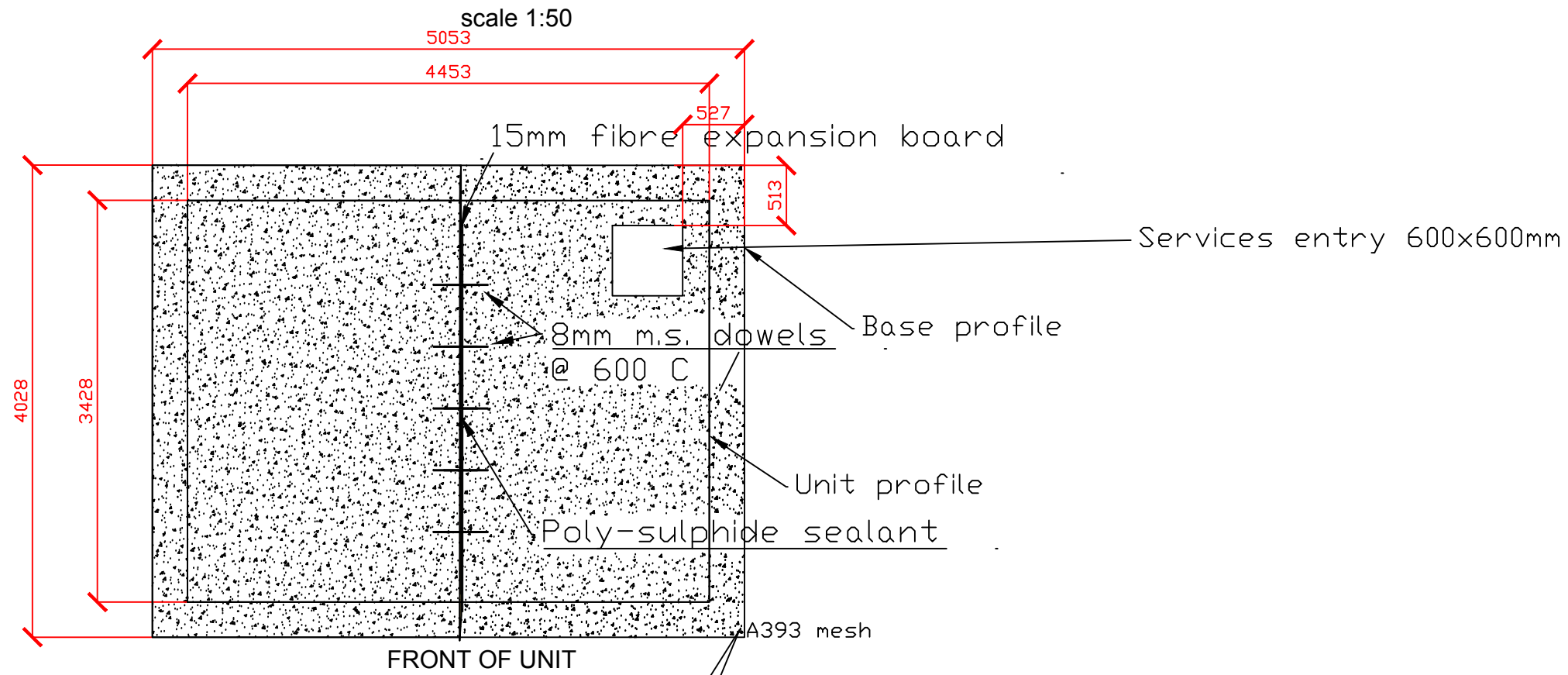
REV	DATE	DESCRIPTION	
CLIENT			
DESIGN CP1			
DRAWING TITLE			
CHANGING PLACES MODULAR UNIT			
SCALE	DATE	DRAWN BY	CHECKED BY
1:50	APR-2021	B W DAVIES	
@A3			
<small>REDMAN ROAD PORTE MARSH IND. ESTATE CALNE WILTS SN11 9PR</small>		<small>Tel: 01249 822063 Fax: 01249 823140 e-mail: ops@healthmatic.com</small>	
DRAWING NUMBER		REVISION	



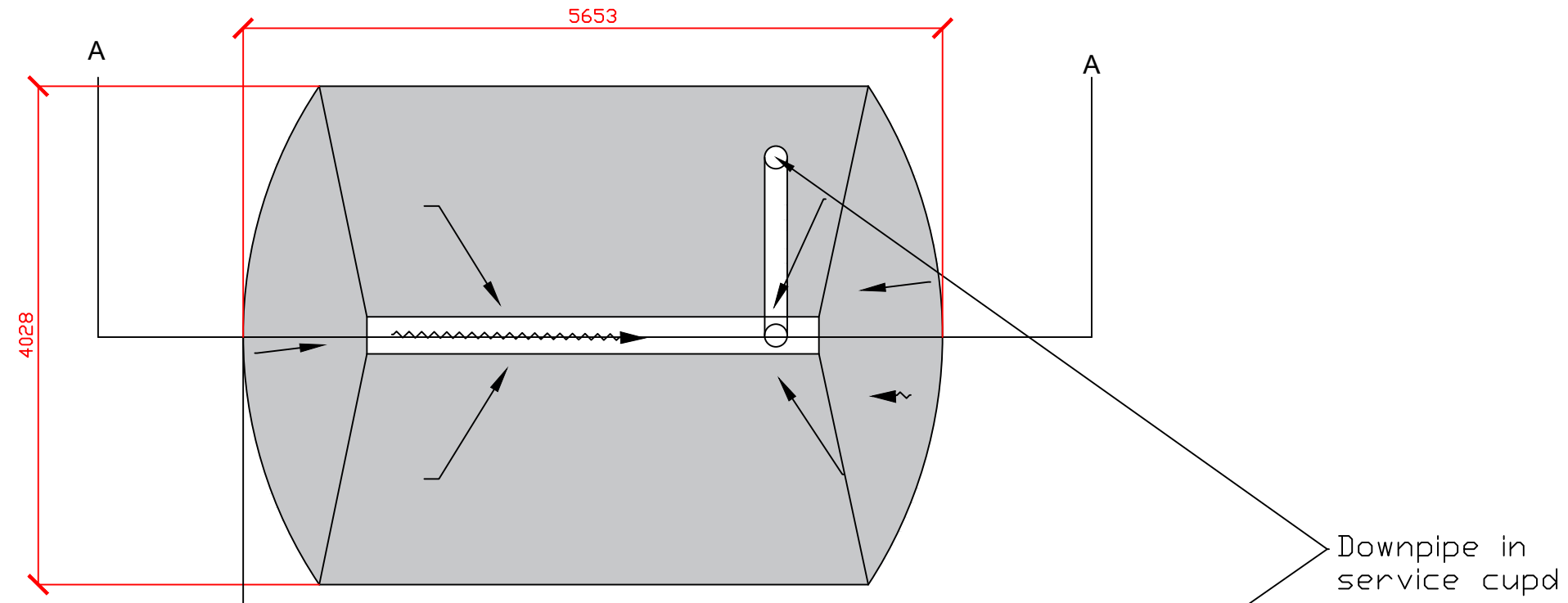
### HEALTHMATIC TOILET DOOR

REV	DATE	DESCRIPTION	
CLIENT			
DESIGN CP1			
DRAWING TITLE			
CHANGING PLACES MODULAR UNIT			
SCALE	DATE	DRAWN BY	CHECKED BY
1:50	APR-2021	B W DAVIES	
@A3			
<b>healthmatic</b>			
<small>REDMAN ROAD PORTE MARSH IND. ESTATE CALNE WILTS SN11 9PR</small>		<small>Tel: 01249 822063 Fax: 01249 823140 e-mail ops@healthmatic.com</small>	
DRAWING NUMBER		REVISION	

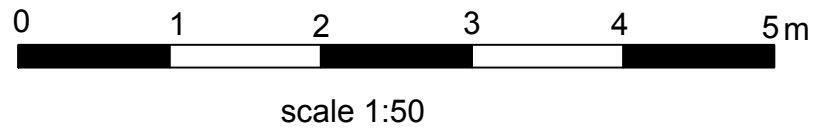
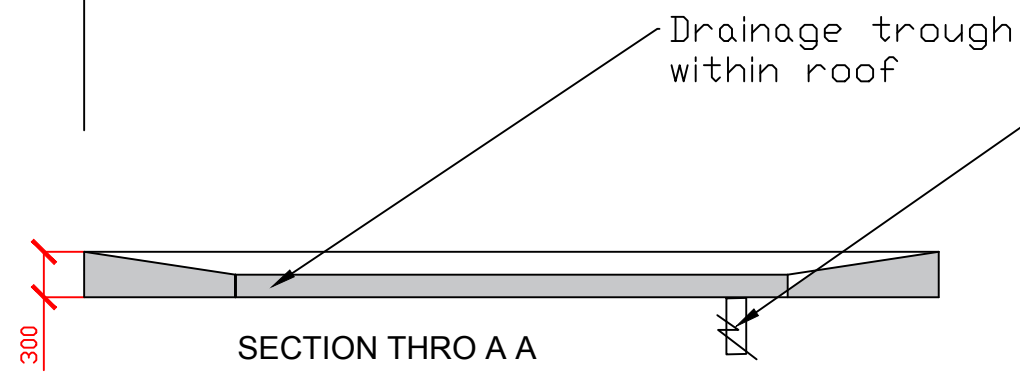
BASE DETAIL



REV	DATE	DESCRIPTION	
CLIENT			
DESIGN CP1			
DRAWING TITLE			
CHANGING PLACES MODULAR UNIT			
SCALE	DATE	DRAWN BY	CHECKED BY
1:50	APR-2021	B W DAVIES	
@A3			
<small>REDMAN ROAD PORTE MARSH IND. ESTATE CALNE WILTS SN11 9PR</small>			
<small>Tel: 01249 822063 Fax: 01249 823140 e-mail ops@healthmatic.com</small>			
DRAWING NUMBER		REVISION	



Downpipe in service cupd




REV	DATE	DESCRIPTION
-----	------	-------------

CLIENT

DESIGN CP1

DRAWING TITLE

CHANGING PLACES  
MODULAR UNIT

SCALE	DATE	DRAWN BY	CHECKED BY
1:50	APR-2021	B W DAVIES	

@A3

**healthmatic**

REDMAN ROAD  
PORTE MARSH IND. ESTATE  
CALNE  
WILTS  
SN11 9PR

Tel: 01249 822063  
Fax: 01249 823140  
e-mail ops@healthmatic.com

DRAWING NUMBER	REVISION